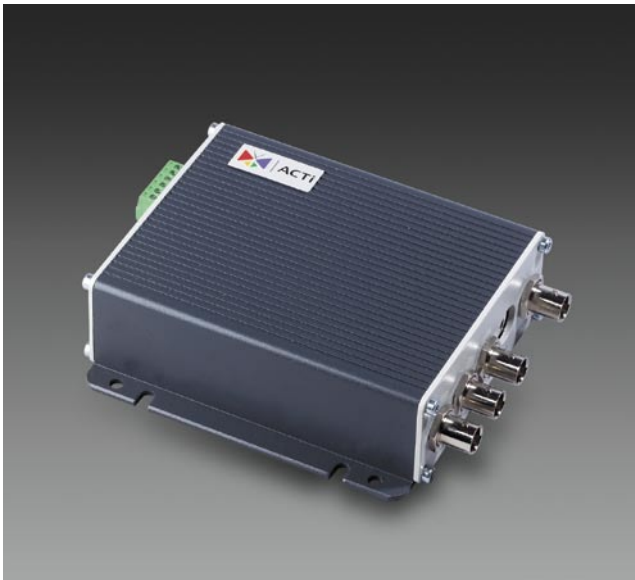




# SED-3200

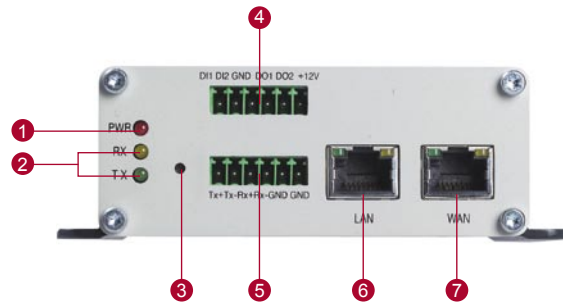
## QoS-enabled Real-time MPEG-4 Video Transcoder



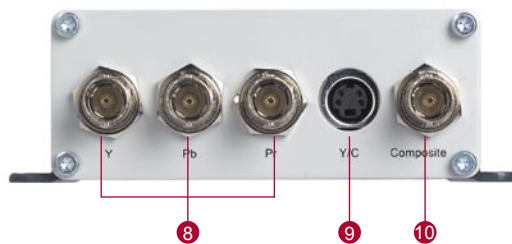
- Up to full D1 MPEG-4 video decoding at 30/25 FPS
- QoS enabled (L3) video streaming
- Dual MPEG-4 video stream input via LAN or WAN (PPPoE supported) ports at the same time
- Digital time code retrieved
- Supports both regular TV system and built-in component interface for PDP or LCD panel

### ► Receive digital data and decode to analog image without lose quality

The SED-3200 is a high resolution, Ethernet (LAN and WAN) ready digital video transcoder. Via an Ethernet network such as LAN or WAN, the SED-3200 takes a MPEG-4 stream from a specific ACTi IP camera or video server, and converts it in real-time with high quality analog video signals. This allows analog video devices such as TV system, analog monitors or existing analog video switches to be connected to an ACTi IP-base video system.



- |                                  |                           |
|----------------------------------|---------------------------|
| 1 Power LED                      | 5 RS-485 & power DC input |
| 2 RS-485 LED                     | 6 LAN port                |
| 3 Reset button                   | 7 WAN port                |
| 4 Digital input & digital output |                           |



- |                                    |
|------------------------------------|
| 8 Analog video output (YPbPr)      |
| 9 Analog video output (Y/C)        |
| 10 Analog video output (Composite) |

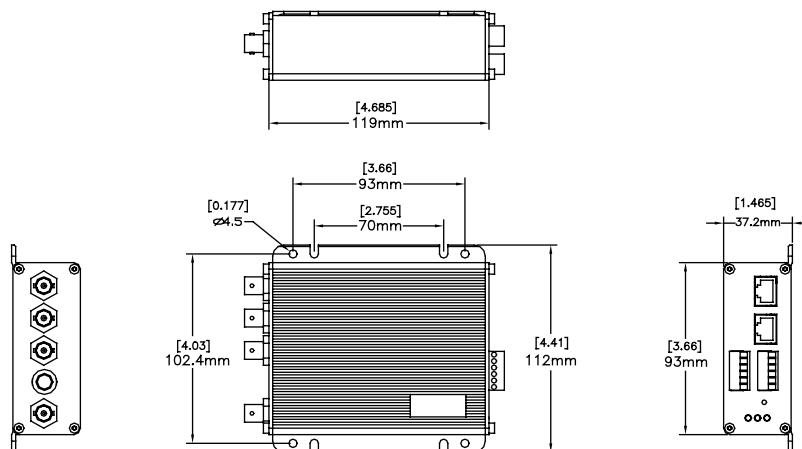


# Video Transcoder SED-3200

## PRODUCT SPECIFICATION

Video (Compression)		Software	
Compression	MPEG-4 ASP decoding	Web Browser	Microsoft Internet Explorer 6.0 or above
Resolution	Full D1 (720 x 480 in NTSC, 720 x 576 in PAL) CIF (352 x 240 in NTSC, 352 x 288 in PAL)	SDK	ActiveX control, C SDK
Image Frame Rate	30 fps at full D1 resolution (NTSC) 25 fps at full D1 resolution (PAL)	Security	Password protection : configured by the administrator
Video Output		Operating	
Composite Output	• CVBS, 1.0Vp-p with 75 Ω loading, BNC connector	Temperature	5 ~ 50 °C (40 ~ 122 °F)
	• Y/C, 1.0Vp-p with 75 Ω loading / 0.286Vp-p with 75 Ω loading, S connector	Power	
	• YPbPr, 1.0Vp-p with 75 Ω loading / 0.7Vp-p with 75 Ω loading, BNC connector	Power Requirement	DC 12 V ±10%
		Power Consumption	7.5 W
Alarm		Physical	
Input	2, TTL, terminal block	Dimensions (WxHxD)	112 mm x 37.2 mm x 119 mm (4.41" x 1.46" x 4.68")
Output	2, TTL, terminal block	Weight	350 g (0.66 lb)
Remote Control			
Serial Port	RS-485: half duplex, terminal block		
External I/O			
Reset Button	Factory default		
LED	System status		
Network			
LAN Port	Ethernet (10/100Base-T), RJ-45 connector		
WAN Port	Ethernet (10/100Base-T), RJ-45 connector		
Protocol	TCP, UDP, IP, HTTP, DHCP, PPPoE		

## DIMENSION DIAGRAM



Unit: mm [inch]

\* All specifications are subject to change without notice.  
\* All brand names and registered trademarks are the property of their respective owners.