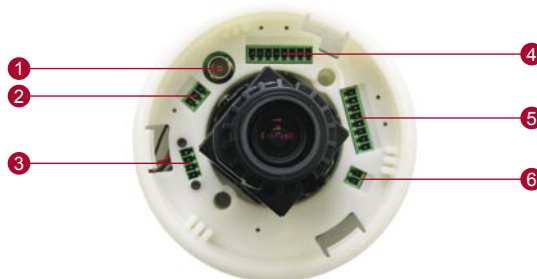




CAM-7200 Series

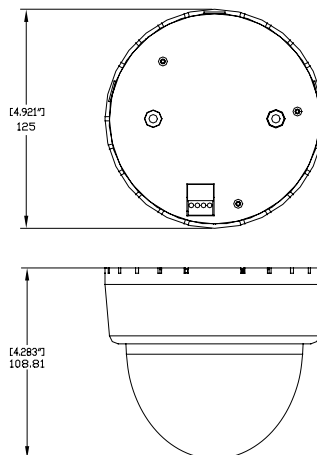


- 1/3" SONY SuperHAD / EXviewHAD CCD with 440K/380K pixels
- Min. 0.05 Lux at F=1.2 (30 IRE, SAGC ON)
- Backlight Compensation, Auto Iris Control, Auto White Balance supported
- Surface, Flush and Wall mount supported
- MPEG-4 ASP compliant compression
- CIF up to Full D1 resolution at 30/25 FPS
- Dual MPEG-4 video stream output via LAN and WAN (PPPoE supported) ports at the same time
- QoS enabled (L3) video streaming
- One-way audio supported
- Power Over Ethernet (IEEE 802.3af) supported (CAM-72x1 series)



- | | |
|------------------------|---------------|
| 1 Analog video output | 4 WAN port |
| 2 Power input | 5 LAN port |
| 3 Digital input/output | 6 Audio input |

DIMENSION DIAGRAM



Unit: mm [inch]

CAM-7200 Series

PRODUCT SPECIFICATION

		CAM-7200	CAM-7220
Image	Device	Interline Transfer SONY Super HAD CCD	Interline Transfer SONY EXviewHAD CCD
	Size	1/3 inch	
	Effective Pixels (HxV)	811 x 508 (NTSC); 795 x 596 (PAL)	
	Horizontal Resolution	480 TVL	
Min. scene Illumination	Color	0.15 Lux at F1.2 (30 IRE, SAGC ON)	Color mode automaticall switched to B/W mode under 4 Lux
	B/W	N/A	0.05 Lux at F1.2 (30IRE, SAGC ON)
	IR Sensitivity	N/A	from 700 nm to 1100 nm
Lens	Focal Length	3.8 ~ 9.5 mm	
	Lens Mount	Board lens	
Camera Angle Adjustment	X (Panning)	± 180°	± 180°
	Y (Tilting)	90°	90°
Synchronization	Sync. System	Internal / Line-lock	
Day/Night Functions	Day/Night Switching	N/A	Mechanical IR cut filter: auto; color / monochrome
Functions	Motion Detection	Yes (3 windows)	
	Electronic Shutter	1/60 ~ 1/100,000 sec. (NTSC); 1/50 ~ 1/100,000 sec. (PAL)	
	BLC	On / Off (Switchable)	
	AGC	On / Off (Switchable)	On / Off (Switchable) Turning off AGC wil disable D&N function
	White Balance	AWB / PWB (switchable)	
	Flickerless	On / Off (switchable)	
	Auto Iris Control	Video / DC (switchable)	
S/N Ratio	S/N Ratio	Better than 50 dB	
Video (Compression)	Compression	MPEG-4 ASP Compliant	
	Picture Resolution	Full D1 (720x480 in NTSC, 720x576 in PAL); CIF (352x240 in NTSC, 352x288 in PAL); QCIF (160x112 in NTSC, 176x144 in PAL)	
	Bit Rate	28 K ~ 3 M bps	
Video Output	Multi-stream	Up to 4 Configurable frame rate/bit rate for preview and recording	
	Composite Output	CVBS, 1.0Vp-p with 75 Ω loading, BNC connector	
Audio Input	Compression	8 kHz, Mono, PCM	
	Audio Line Input	Unbalanced, 1.0 Vpp, 1Vrms, 3.5 mm Jack	
Alarm	Input	1, TTL, terminal block	
	Output	1, TTL, terminal block	
External I/O	Reset Button	Factory default	
	LED	System status	
Casing	Mount Types	Surface / Flush / Wall	
Network	LAN Port	Ethernet(10/100 Base-T), RJ-45 connector	
	WAN Port	Ethernet(10/100 Base-T), RJ-45 connector	
	Protocol	TCP, UDP, RTP, RTSP	
Software	Web Browser	Microsoft Internet Explorer 6.0 or above	
	SDK	AtiveX control, C SDK	
	Security	Password Protection: configured by the administrator	
Operating	Temperature	5 ~ 50 °C (40 ~ 122 °F)	
Power	Power Requirement	DC 12 V ±10% (CAM-7200) PoE (IEEE802.3af) with Class 3 (CAM-7201)	DC 12 V ±10% (CAM-7220) PoE (IEEE802.3af) with Class 3 (CAM-7221)
	Power Consumption	7.4 W	
Physical	Dimensions (ØxH)	125 mm x 108.81 mm (4.92" x 4.28")	
	Weight	1,020 g (2.25 lb)	

ORDERING INFORMATION

Model Name	NTSC	PAL	D & N	DC 12V	DC 12V + POE
CAM-7200N	V			V	
CAM-7200P		V		V	
CAM-7201N	V				V
CAM-7201P		V			V
CAM-7220N	V		V	V	
CAM-7220P		V	V	V	
CAM-7221N	V		V		V
CAM-7221P		V	V		V

* All specifications are subject to change without notice.

* All brand names and registered trademarks are the property of their respective owners.